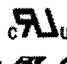
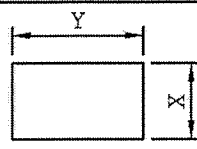
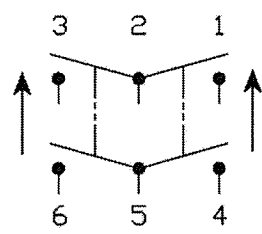


THIS INFORMATION IS CONFIDENTIAL AND PROPRIETARY TO CW INDUSTRIES INCORPORATED AND ITS AFFILIATES. IT MAY NOT BE DISCLOSED TO ANYONE, OTHER THAN CW INDUSTRIES PERSONNEL, WITHOUT WRITTEN AUTHORIZATION FROM CW INDUSTRIES INCORPORATED, SOUTHAMPTON, PENNSYLVANIA USA.

Rating	16(4)A 125/250Vac 20A 125Vac 21A 14VDC / 10A 28VDC	T85 		Mounting Hole 	Circuit Diagram 
	Contact Resistance	50m ohm Max.	Thickness(mm)		
Insulation Resistance	DC 500V 100M ohm Min.	0.75~1.25	21.2+0.1	36.6 ^{+0.2}	
Dielectric Strength	AC 1500V 1 minute	1.25~2.0		36.8 ^{+0.2}	
Operation Temperature	-20°~+85°	2.0~3.0		37.0 ^{+0.2}	
Switch Function	6P DPDT (ON)-OFF-(ON)				

() = Momentary Function

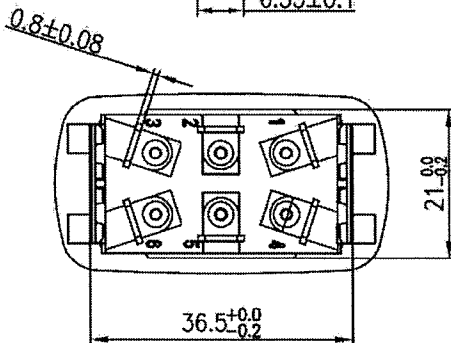
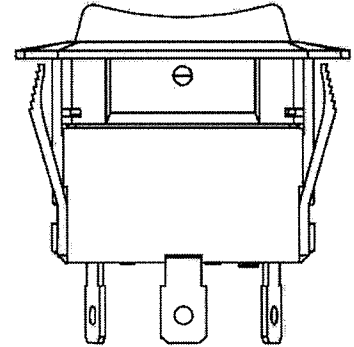
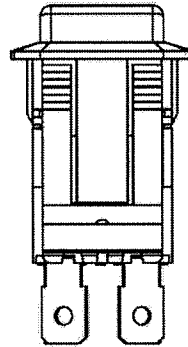
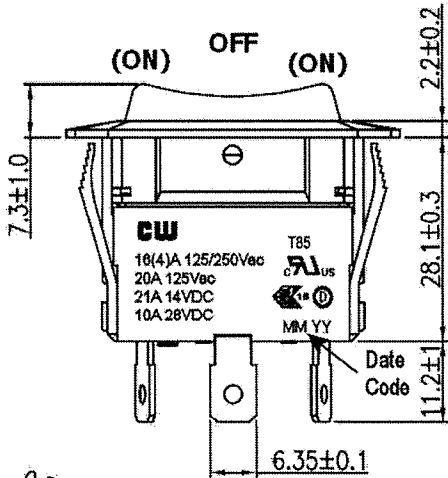
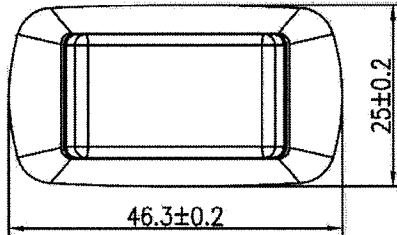
MATERIAL:

Frame: Nylon#66, Black

Actuator: Nylon#66 with 33%GF, Black

Printed: None

Water proof and dust proof to fit IP-56



Order Chart									
Series		Actuator Type		Terminal Type		No Bulb			
GRB260	K	1	01	B	B	N	N		
Function		Frame Color		Actuator Color		No Marking			

2 Updated ratings. 2/07/18.
1 20A 125VAC 10A 250VAC was 20A 125VAC 10A 25VAC IN RATING. 1/24/11.

R13-260K1-01-BB

CW INDUSTRIES
Southampton, Pa. 18966
Tel 215.355.7080/www.cwind.com

Date Drawn: 1/24/11

Rev. 2

Unit: mm

Checked By: *G. GULD*

Title: **ROCKER SWITCH**

CW P/N: **GRB260K101BBNN**